

Veneta Engineering s.r.l.
 37135 VERONA Via Lovanio 8/10
 Telefono 0458200948 telefax 0458201982
 www.venetaengineering.it

Organismo notificato di certificazione europea n. 0505
 Macchine - Ascensori - Recipienti semplici a pressione - Rumore
 Organismo d'ispezione di tipo "A" impianti elettrici
Laboratorio di Prove

9101
VERIFICA
ATTREZZATURE
DA LAVORO

Authorized by Ministero dello Sviluppo Economico on 15 Jan. 2008 pursuant to articles 10 & 11 part A of EEC Directive 89/686/EEC "PPE-Personal Protective Equipment" dated 01 Jan. 08 (G.U. no. 24 of 29 Jan. 08)


To:
HB SECURITY S.R.L.

VIA DELL ADIGE, 5
39040 CORTACCIA BZ

TEST REPORT No. 279/EN VAR	date: 02/02/2012	ORIGINAL
Acceptance record no. 78909	date: 17/01/12	
TESTS ON ANCHOR DEVICES - PROTECTION AGAINST FALL FROM A HEIGHT		EN 795 P9101 33-32-0-1-0

dates: test start 26/01/2012 test end 27/01/2012 sample
samples delivered SAME-AS PRODUCTS

MARKET NAME Wall hook
REF. (as declared by client) CHARACTERISTICS RIGID ARTEFACT FOR TWO USERS
SAMPLING SITE

DECLARED CLASS (POINT 4,3) A1	STRUCTURAL ANCHORS DESIGNED FOR FIXING TO VERTICAL, HORIZONTAL, INCLINED SURFACES
GENERAL DATA	
FIXING BASE CONNECTED WITH 2 M12 PINS depth 146	
OVERHANG FROM BASE mm 50	
OVERHANG WITH FIXED SECTION	
LOAD APPLICABLE TO END RING	
PROTOTYPE - standardized production not checked	

inspections, measures and tests carried out (*)

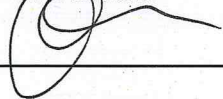
inspections	markings found on sample under inspection			
tests	STATIC test point 5,2,1		TEST PASSED	
	anchoring structure	reinforced concrete		
	applied force	KN	10	std value 10,0 OK
	(FORCE APPLIED IN THE DIRECTION IN WHICH SAID FORCE CAN BE APPLIED DURING OPERATION)			
	application time	min	3	minimum 3 OK
	THE DEVICE	HOLDS		THE LOAD OK
tests	DYNAMIC test point 5,2,2		TEST PASSED	
	anchoring structure	reinforced concrete		
	falling mass	kg	100	std value 100,0 OK
	height of fall	mm	2490	min std value 2450,0 OK
				max std value 2550,0 OK
(HORIZONTAL DISTANCE FROM THE ANCHORING POINT TO THE LOAD APPLICATION POINT MAX. 300 MM)				
THE MASS	HAS	BEEN ARRESTED BY THE DEVICE		OK

ANALYSIS OUTCOMES	STATIC LOAD TEST	PASSED	DYNAMIC LOAD TEST	PASSED
-------------------	------------------	---------------	-------------------	---------------

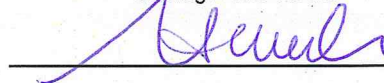
THE OVERALL OUTCOME OF THE TESTS CONFIRMS THE DECLARED CLASS

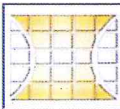
NOTES NV = not evaluated NC = not compliant
 (*) All tests were performed in +y and +x directions

the experimenter
 Mihai Muntean--



the head of laboratory
 dott.ing. Loris Turella





Veneta Engineering s.r.l.
 37135 VERONA Via Lovanio 8/10
 Telefono 0458200948 telefax 0458201982
 www.venetaengineering.it

Organismo notificato di certificazione europea n. 0505
 Macchine - Ascensori - Recipienti semplici a pressione - Rumore
 Organismo d'ispezione di tipo "A" Impianti elettrici

9101
VERIFICA
ATTIESTAZIONE
DA LAVORO

Laboratorio di Prove

Authorized by Ministero dello Sviluppo Economico on 15 Jan. 2008 pursuant to articles 10 & 11 part A of EEC Directive 89/686/EEC "PPE-Personal Protective Equipment" dated 01 Jan. 08 (G.U. no. 24 of 29 Jan. 08)

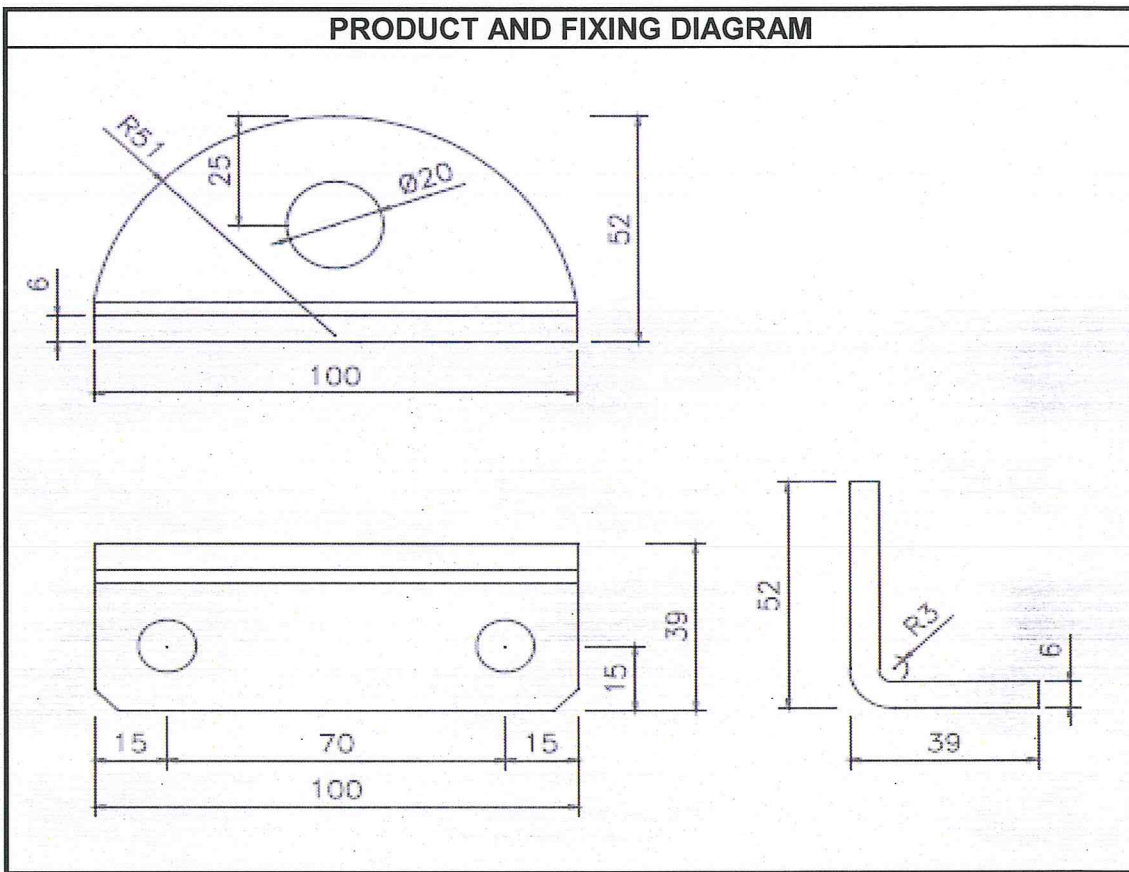
To:
HB SECURITY S.R.L.

VIA DELL ADIGE, 5
39040 CORTACCIA BZ

TEST REPORT No.	279/EN VAR	date: 02/02/2012	ORIGINAL
Acceptance record no.	78909	date: 17/01/12	
TESTS ON ANCHOR DEVICES - PROTECTION AGAINST FALL FROM A HEIGHT			EN 795 P9101 33-32-0-1-0

dates:	test start	26/01/2012	test end	27/01/2012	sample
samples delivered		SAME-AS PRODUCTS			

REF. (as declared by client)	MARKET NAME	Wall hook
	CHARACTERISTICS	RIGID ARTEFACT FOR TWO USERS
	SAMPLING SITE	



the experimenter
 Mihai Muntean--

the head of laboratory
 dott.ing. Loris Turella